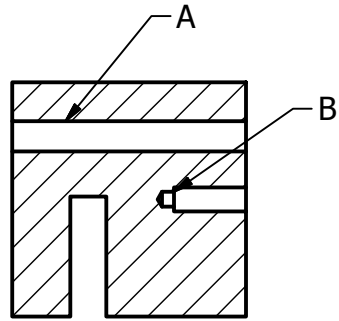


2

1

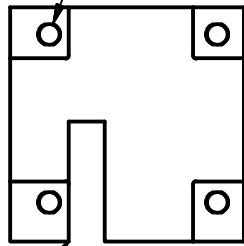


B

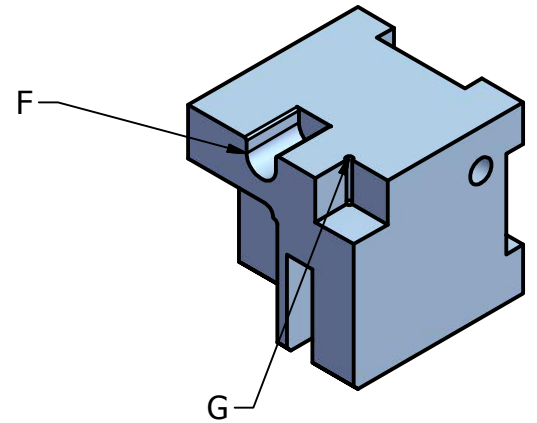
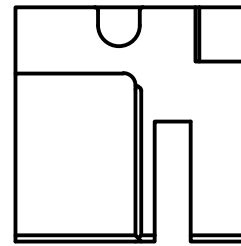
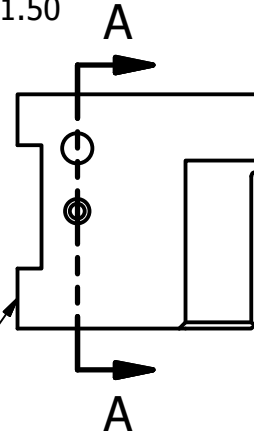


SECTION A-A  
SCALE 1 / 8

C  
Ø.88  $\nabla$  2.00  
1-8 UNC - 2B  $\nabla$  1.50



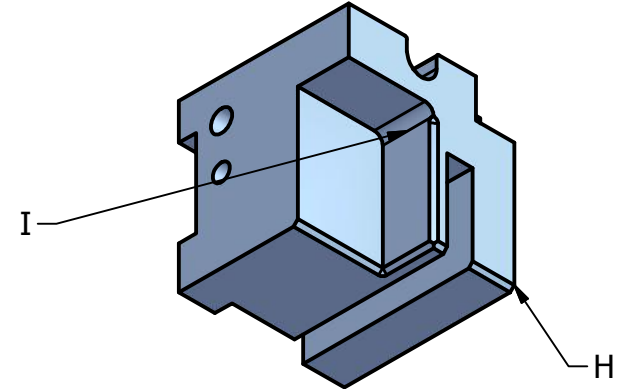
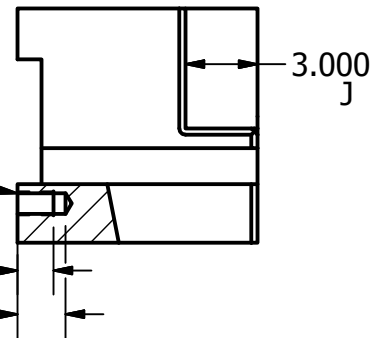
.001  
ON BOSSES



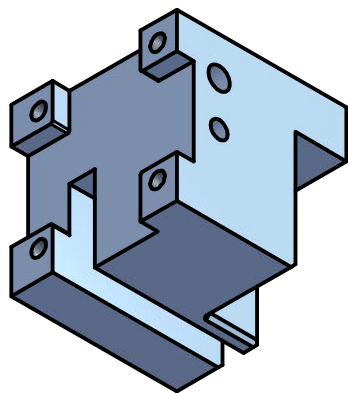
B



E



A



DRAWN LOREN	1/17/2011
CHECKED	
QA	
MFG	
APPROVED	
.X $\pm$ .02" .XX $\pm$ .010" .XXX $\pm$ .005" Angular .X $\pm$ 1.0°	

CAMBRIDGE PRECISION MACHINING 7350 SW LANDMARK LANE STE 110 PORTLAND, OR 97224 info@cambridgemachine.com 503-624-1937		
TITLE		
SIZE A	DWG NO Mr.Do_Mill	REV
SCALE	SHEET 1 OF 1	

A

2

1

